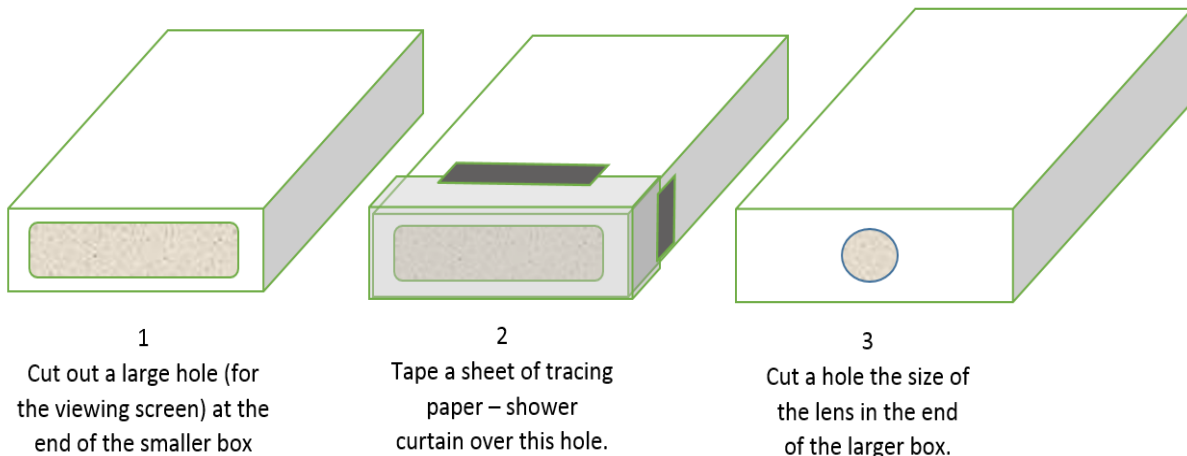


Making an 'actual reality' Cereal box obscura.

See Video [here](#)

To make your obscura you will need

- Two large cereal boxes. One which slides inside the other.
- A lens which focusses the sun at between 5 – 20cm (cheap magnifying lens)
- A section of cheap shower curtain or tracing paper.
- Some scissors and gaffer or good sellotape



Find your two cereal boxes, one of which needs to fit neatly inside the other. Cut a large hole in the base of the smaller box. Try not to cut the base off the box as this will make the obscurer less rigid. Tape some tracing paper or thin shower curtain over this hole.

Cut a 'lens sized hole' in the base of the larger box and tape on the lens.

Slide the smaller 'viewing screen' box inside the lens box and view.

Looking through your obscura – Questions to ask.

What is happening?

Why do we see the 'correct' way?

What would happen if you viewed the obscura image through another obscura?

What happens when viewing closer objects and why?

What could happen if you wore an obscura for 10 hours?

Could you play a game of football viewing only through the obscura?